

ITEM NUMBER: BIO-60-017

## DESCRIPTION:

FLA 3 made by Planika. H: 22 x D: 28 cm. Safety sensors.

## TECHNICAL DATA:

**Type:** Bioethanol Fireplace

**Size:** H: 22 x D: 28 cm x W: 79 | 99 | 119 | 149 | 199 | 249 | Customization is possible

**Materials:** Brushed steel

**Weight:** 79: 25 kg | 99: 29,5kg | 119: 33,5kg | 149: 40kg | 199: 51kg | 249: 61kg

**Capacity:** 79: 4,5L | 99: 5,5L | 119: 8,3L | 149: 10L | 199: 12,5L | 249: 15L

**Heat Effect:** 79: 2,9-6,9 kW | 99: 3,7-8,1 kW | 119: 5-11,2 kW | 149: 6,2-15 kW | 199: 7,8-21,2 kW | 249: 9,4-27,5 kW

**Colour:** Black | Customization Possible

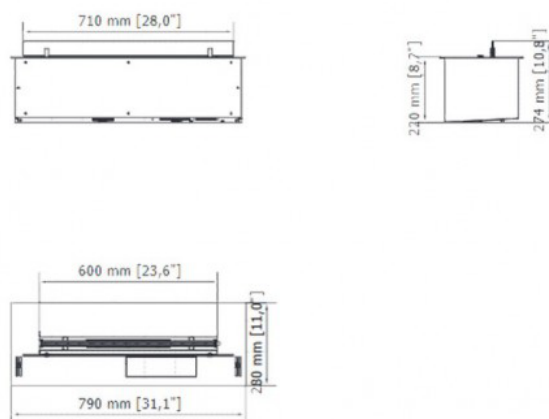
**Burner Type:** Automatic burner: Adjustable flame - 6 levels

**Fuel/Propellant:** 96,6 % Fanola Premium

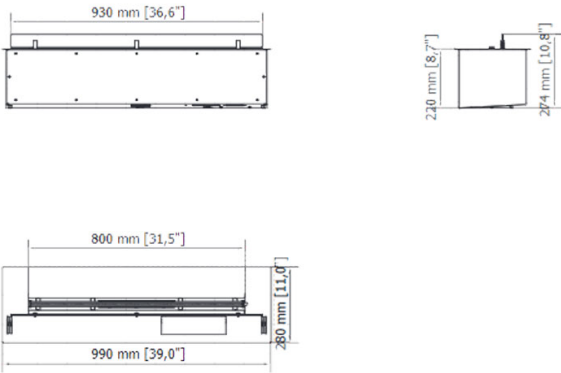
**Consumption:** 79: 9h | 99: 10h | 119: 11h | 149: 11h | 199: 12h | 249: 12h



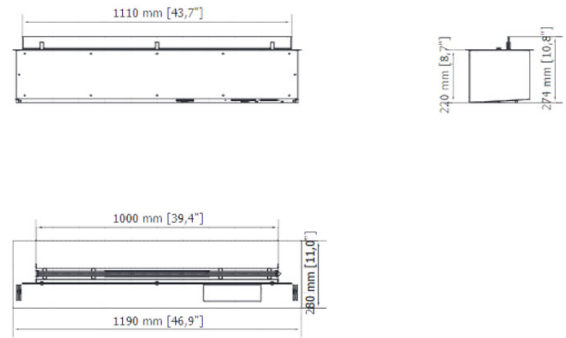
79 cm:



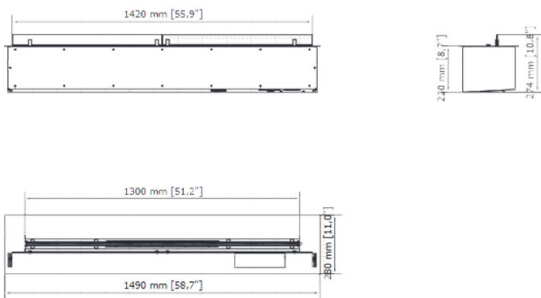
### 99 cm:



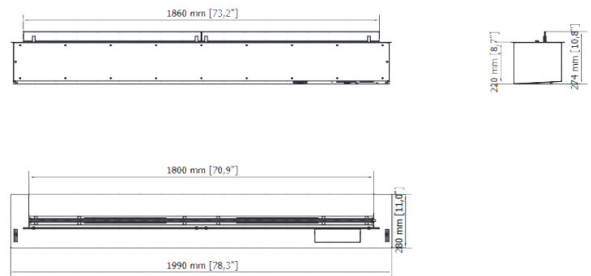
### 119 cm:



### 149 cm:



### 199 cm:



249 cm:

